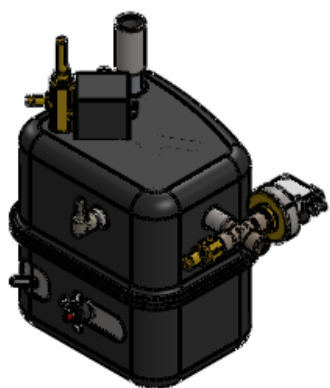
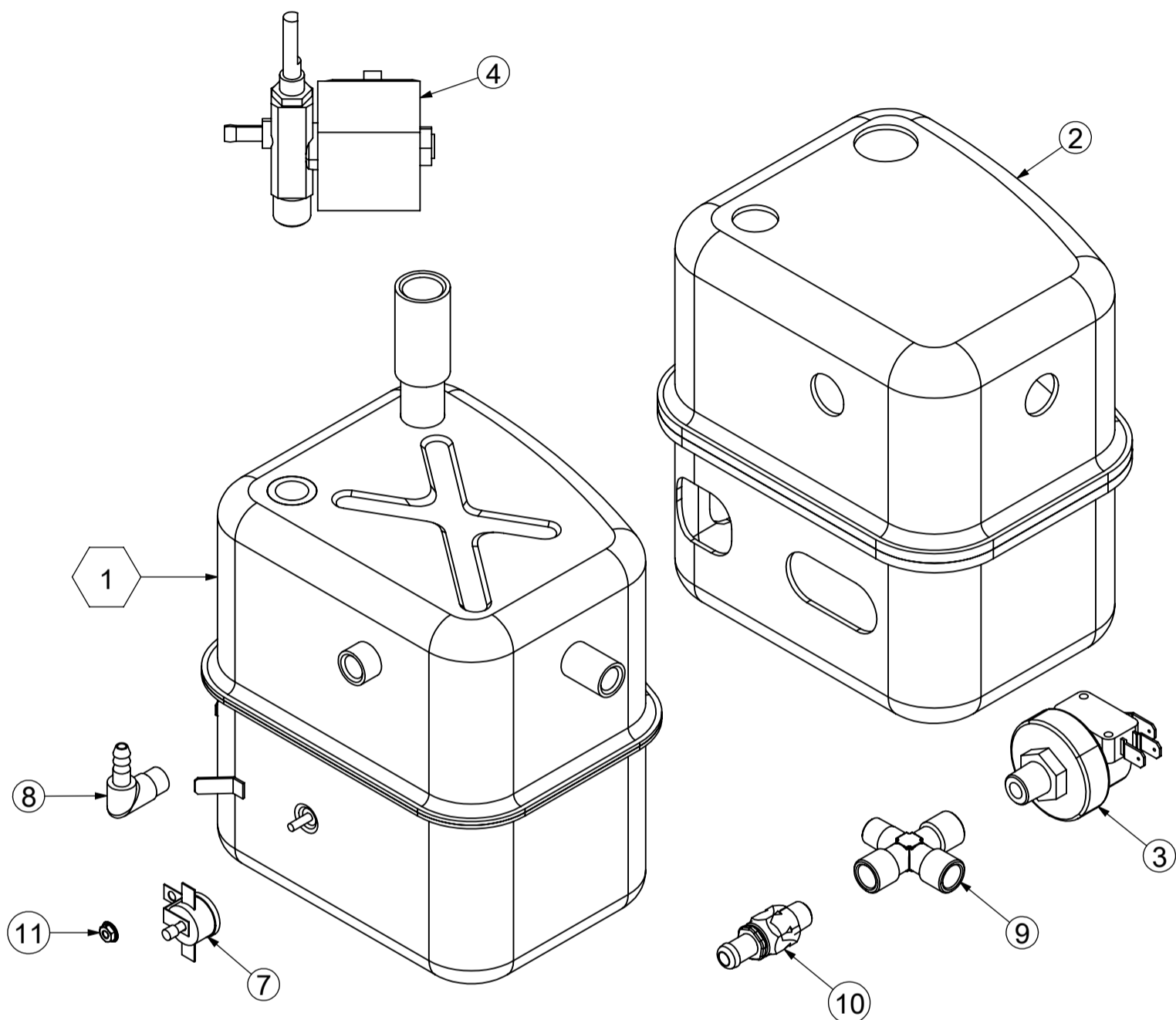
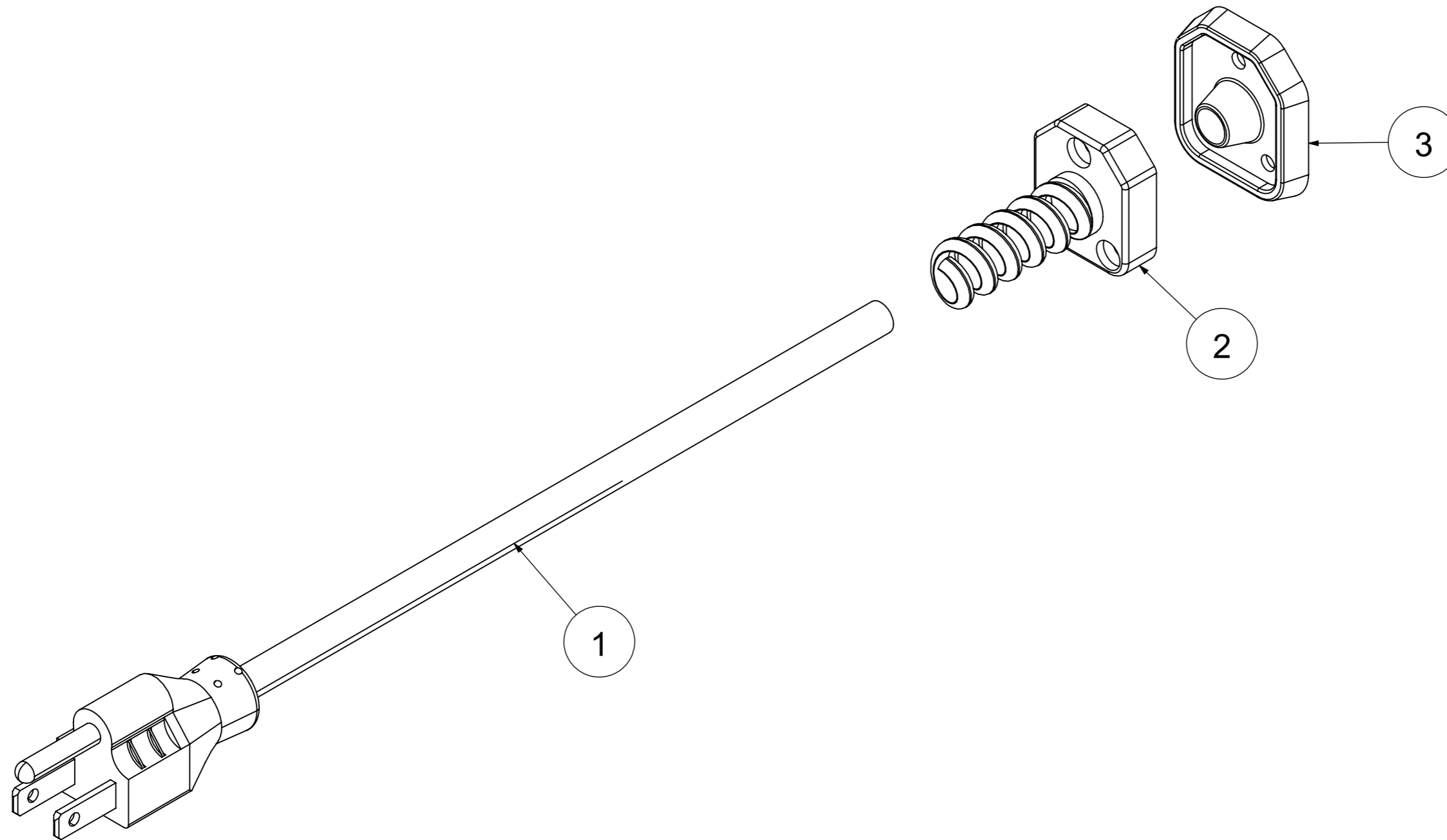


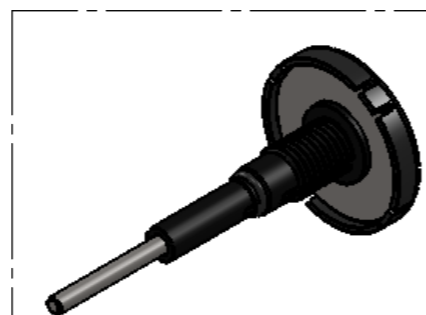
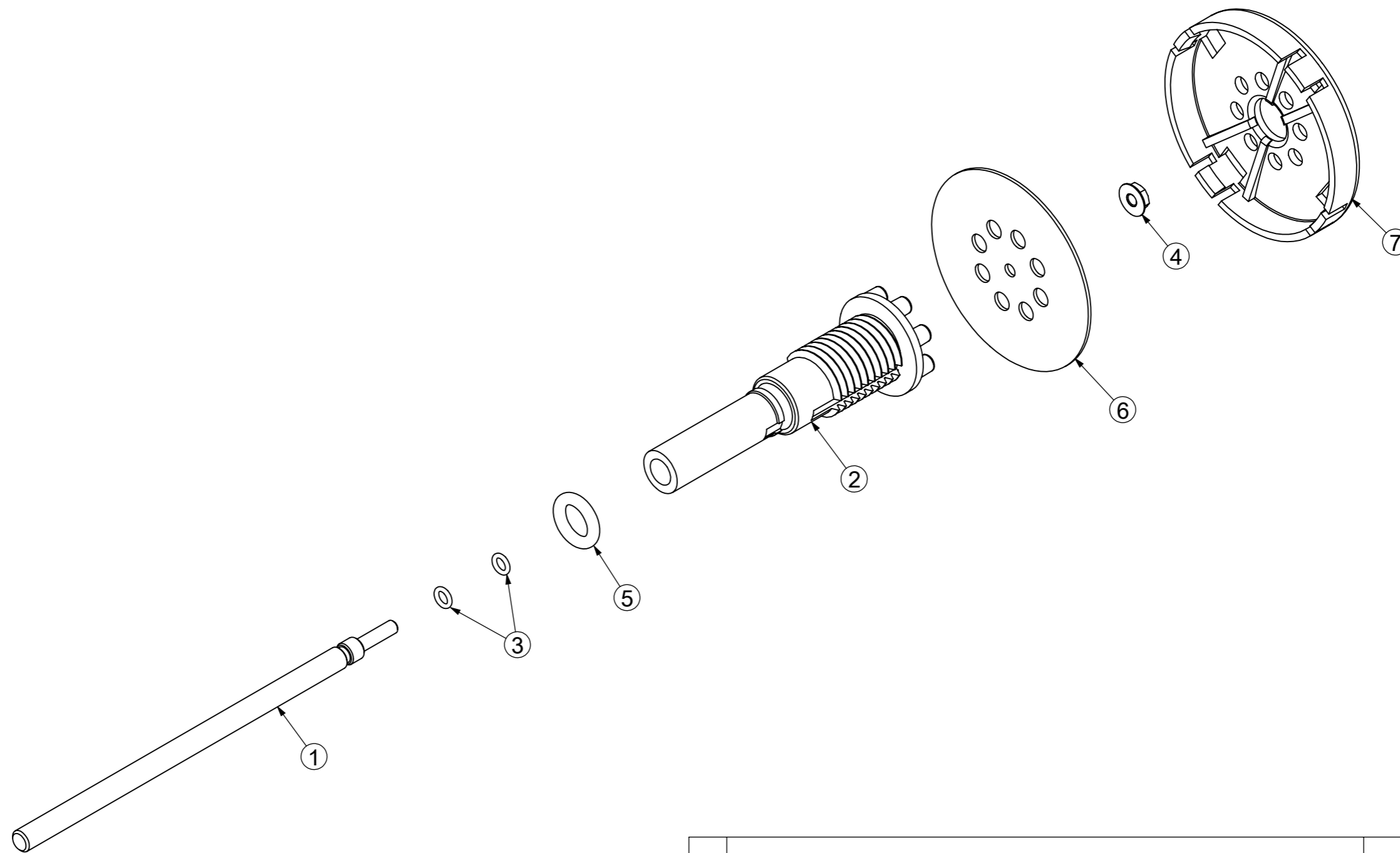
0 PRIMA EMISSIONE		DATE	APPROVED BY
REV.	MODIFY DESCRIPTION		
DESCRIPTION		GEN. TOL. UNI EN ISO 22768 mK	
DIAMANT C/RIC NMBL INOX 120V C/S 6 BAR		0.5-6	6-30 30-120 120-400 400-1000
ENG DESCRIPTION		±0.1	±0.2 ±0.3 ±0.5 ±0.8
PDM CODE		TOLERANCES FOR ANGLES ±1°	
P0C2330020	REV. 0	CODE AB11280400215800	CER WEIGHT (g) 6285.69
DRAWN BY	DATE	APPROVED BY	DATE
Marco Alessio	13/04/2015		
COLOUR	HEAT TREATMENT	SURFACE TREATMENT	REFERENCES DIE



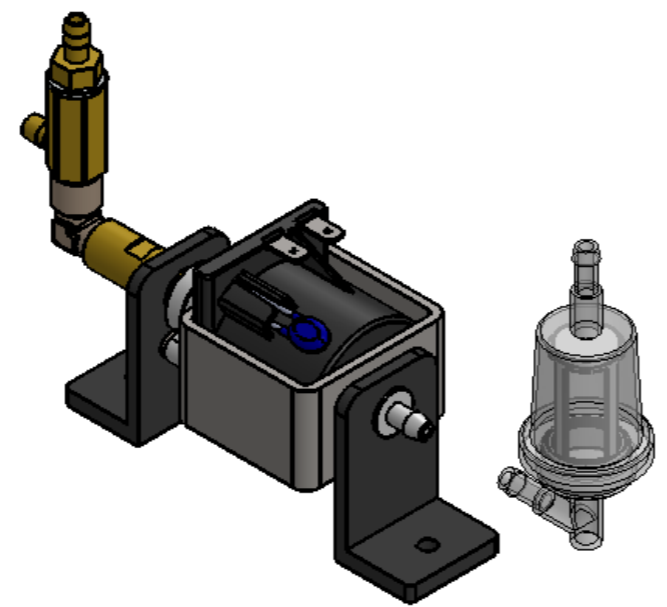
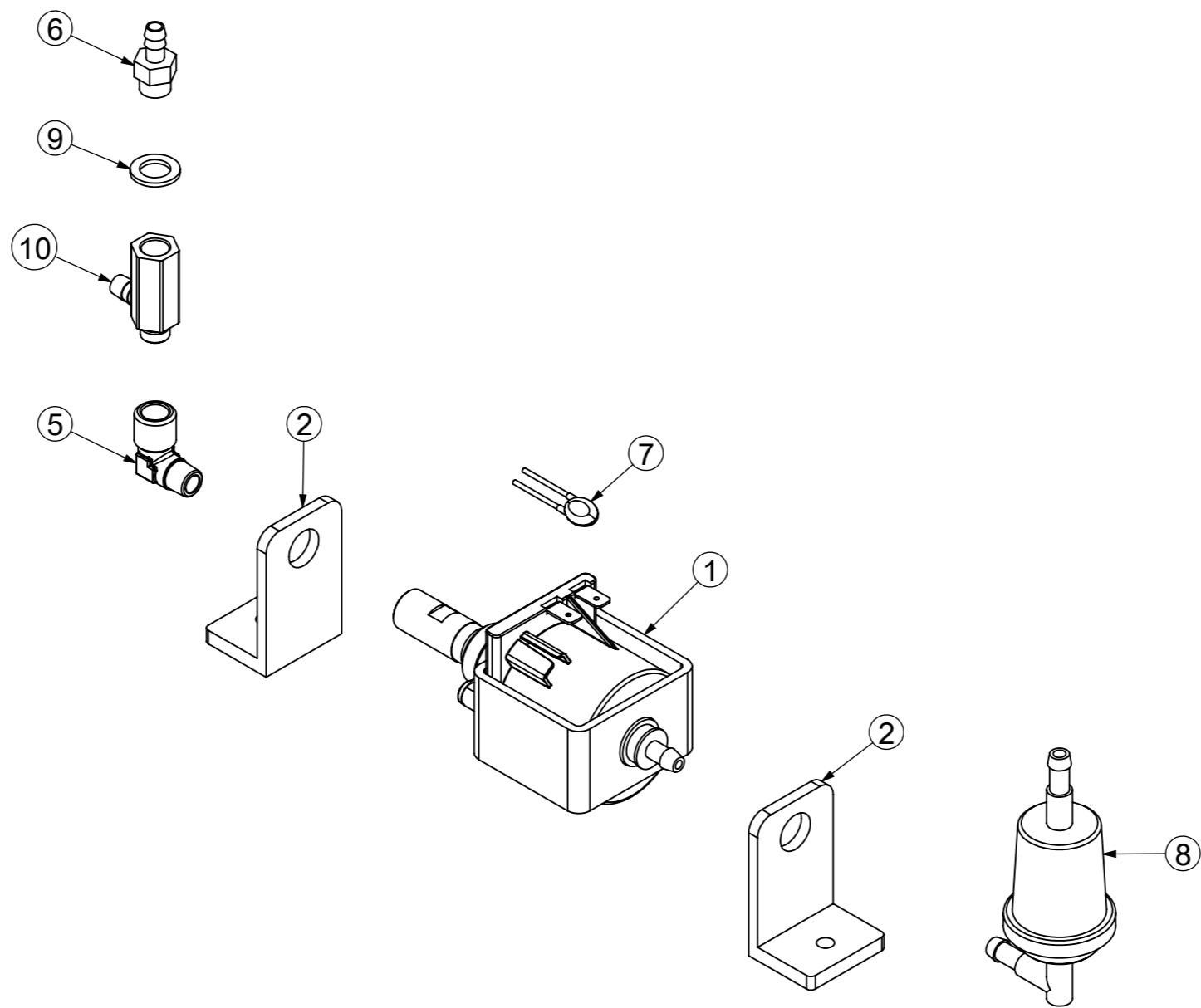
0		PRIMA EMISSIONE			
REV.	MODIFY DESCRIPTION			DATE	APPROVED BY
DESCRIPTION				GEN. TOL. UNI EN ISO 22768 mK	
CALDAIA IX 1,8L 1750W 120V DIAMANT				0.5-6	6-30
				30-120	120-400
ENG DESCRIPTION				±0.1	±0.2
				±0.3	±0.5
				±0.8	
				TOLERANCES FOR ANGLES ±1° TOLERANCES FOR DRAFT ANGLES ±10°	
PDM CODE	REV.	CODE	MATERIAL	CER	WEIGHT (g)
A0800108	0	40145054200000			1351,78
DRAWN BY	DATE	APPROVED BY	DATE	SCALE	A3
Marco Alessio	09/04/2015			1:5	
COLOUR	HEAT TREATMENT	SURFACE TREATMENT	REFERENCES DIE		



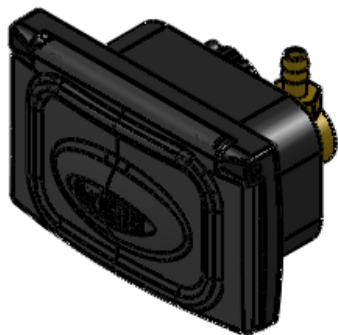
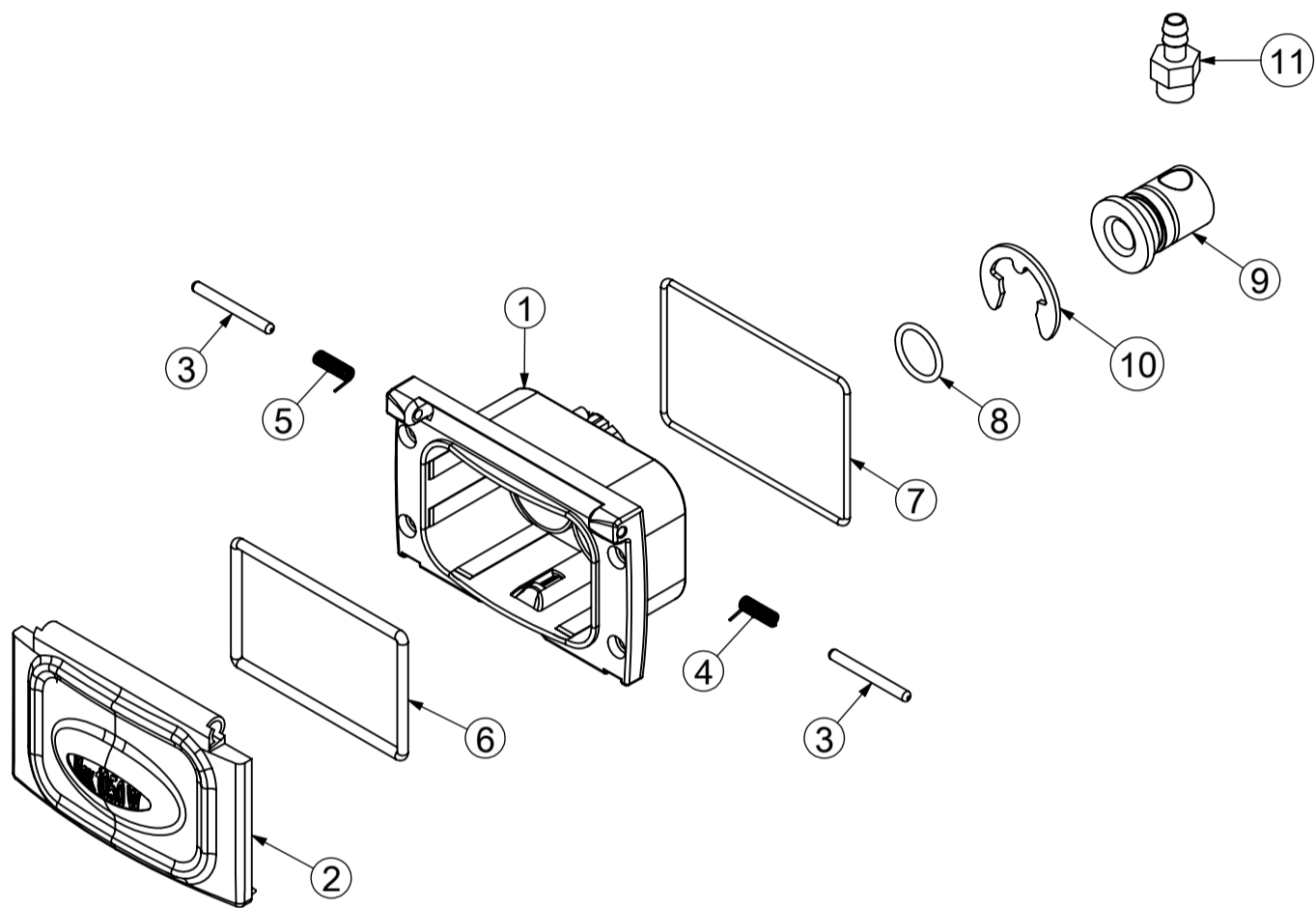
0		PRIMA EMISSIONE						
REV.	MODIFY DESCRIPTION			DATE	APPROVED BY			
DESCRIPTION				GEN. TOL. UNI EN ISO 22768 mK				
CAVO AL. AMER 3X14AWGSJTWA105 4,5M+PASS+				0.5-6	6-30	30-120	120-400	400-1000
ENG DESCRIPTION				±0.1	±0.2	±0.3	±0.5	±0.8
				TOLERANCES FOR ANGLES ±1° TOLERANCES FOR DRAFT ANGLES ±10°				
PDM CODE	REV.	CODE	MATERIAL	CER	WEIGHT (g)			
A0100004	0	49920109000000						
DRAWN BY	DATE	APPROVED BY	DATE	SCALE	A3			
Marco Cangiano	10/03/2011			1:2				
COLOUR	HEAT TREATMENT	SURFACE TREATMENT	REFERENCES DIE					



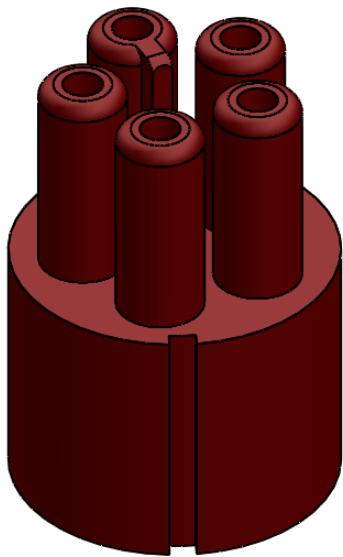
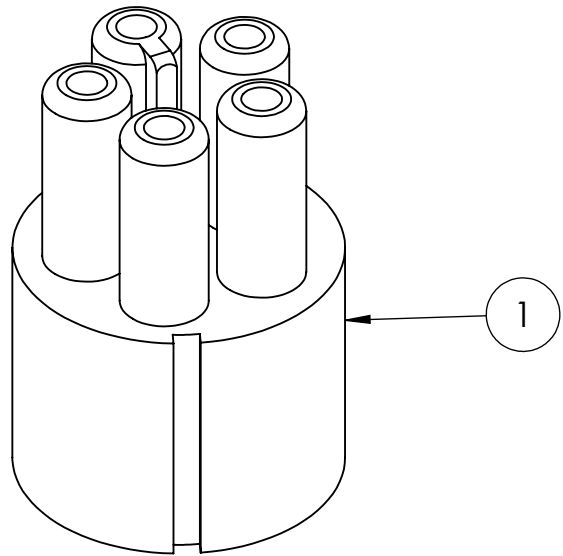
0		PRIMA EMISSIONE						
REV.	MODIFY DESCRIPTION			DATE	APPROVED BY			
DESCRIPTION				GEN. TOL. UNI EN ISO 22768 mK				
TAPPO SONDA LIVELLO H2O RY/VS				0.5-6	6-30	30-120	120-400	400-1000
ENG DESCRIPTION				±0.1	±0.2	±0.3	±0.5	±0.8
				TOLERANCES FOR ANGLES ±1° TOLERANCES FOR DRAFT ANGLES ±10°				
PDM CODE	REV.	CODE	MATERIAL	CER	WEIGHT (g)			
A1800007	0	40119008100100			51,507			
DRAWN BY	DATE	APPROVED BY	DATE	SCALE	REFERENCES DIE			
Marco Alessio	24/01/2012			1:5	A3			
COLOUR	HEAT TREATMENT	SURFACE TREATMENT						



0		PRIMA EMISSIONE						
REV.	MODIFY DESCRIPTION			DATE	APPROVED BY			
DESCRIPTION				GEN. TOL. UNI EN ISO 22768 mK				
GRU. POMPA DIAMANT C/RIC 120V				0.5-6	6-30	30-120	120-400	400-1000
ENG DESCRIPTION				±0.1	±0.2	±0.3	±0.5	±0.8
				TOLERANCES FOR ANGLES ±1° TOLERANCES FOR DRAFT ANGLES ±10°				
PDM CODE	REV.	CODE	MATERIAL	CER	WEIGHT (g)			
A0600019	0	49923010100000			1003,97			
DRAWN BY		DATE	APPROVED BY	DATE	SCALE	A3		
Marco Alessio		08/04/2015			1:2			
COLOUR		HEAT TREATMENT	SURFACE TREATMENT	REFERENCES DIE				



0		PRIMA EMISSIONE			
REV.	MODIFY DESCRIPTION			DATE	APPROVED BY
DESCRIPTION				GEN. TOL. UNI EN ISO 22768 mK	
ASS. CORPO PRESA MBL OT VAP DIAM 6BAR				0.5-6	6-30
ENG DESCRIPTION				30-120	120-400
				400-1000	
				±0.1	±0.2
				±0.3	±0.5
				±0.8	
				TOLERANCES FOR ANGLES ±1°	
				TOLERANCES FOR DRAFT ANGLES ±10°	
PDM CODE	REV.	CODE	MATERIAL	CER	WEIGHT (g)
A0300027	0	20109066560			120,086
DRAWN BY	DATE	APPROVED BY	DATE	SCALE	
Marco Alessio	02/04/2013			1:1	A3
COLOUR	HEAT TREATMENT	SURFACE TREATMENT	REFERENCES DIE		



0		PRIMA EMISSIONE			
REV.	MODIFY DESCRIPTION			DATE	APPROVED BY
DESCRIPTION				GEN. TOL. UNI EN ISO 22768 mK	
ASS.CABLA. MAC. DIAMANT C/RIC C/S 120V				0.5-6	6-30
				30-120	120-400
ENG DESCRIPTION				±0.1	±0.2
				±0.3	±0.5
				±0.8	
<small>TOLERANCES FOR ANGLES ±1° TOLERANCES FOR DRAFT ANGLES ±10°</small>					
PDM CODE	REV.	CODE	MATERIAL	CER	WEIGHT (g)
A0200075	0	49920514370			9,08
DRAWN BY	DATE	APPROVED BY	DATE	SCALE	A4
Marco Alessio	08/04/2015			2:1	
COLOUR	HEAT TREATMENT	SURFACE TREATMENT		REFERENCES DIE	

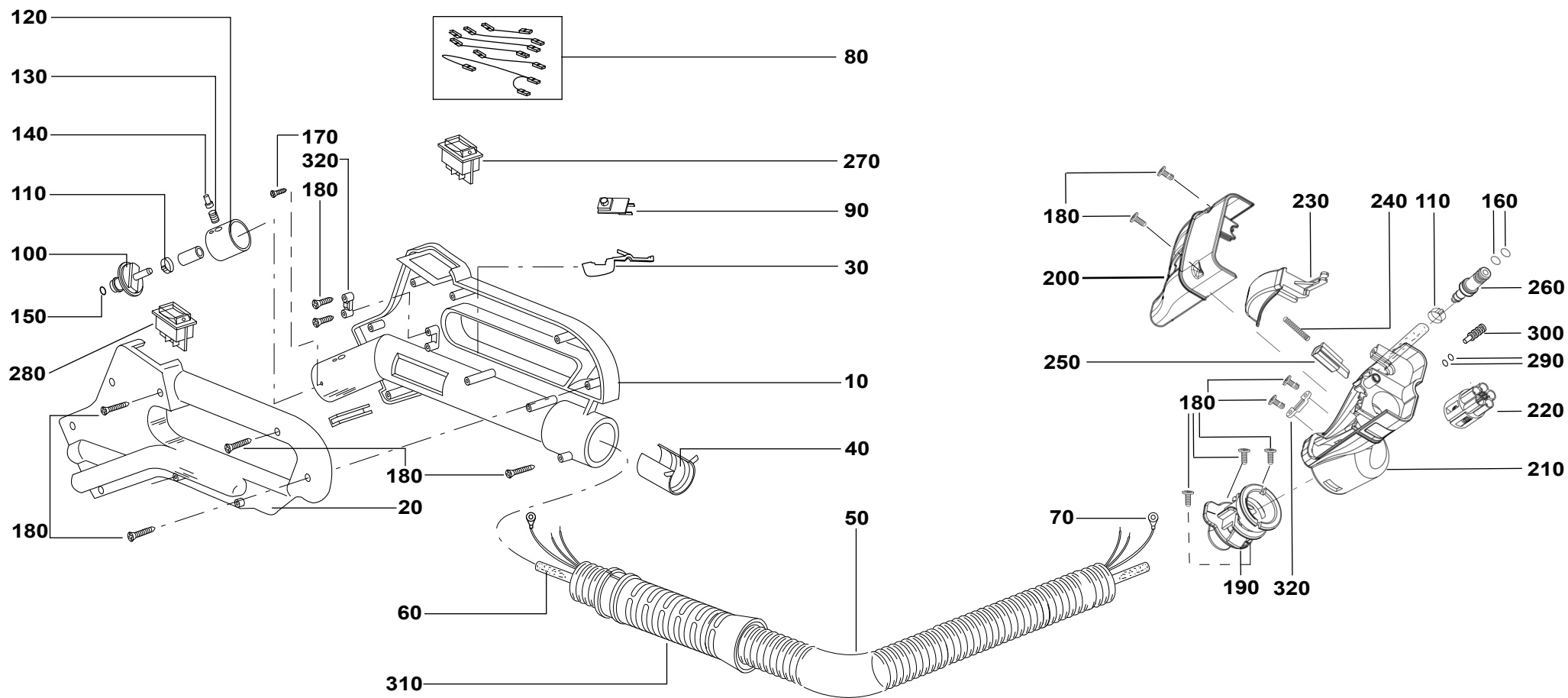
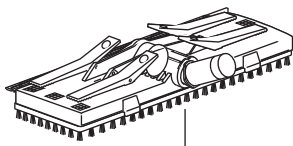
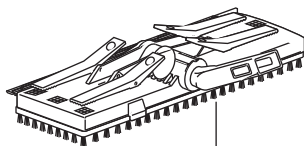


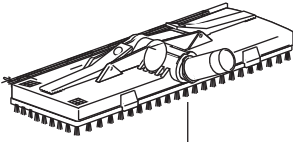
Tavola n°: **G0125**
 Data: **01/10/2007**



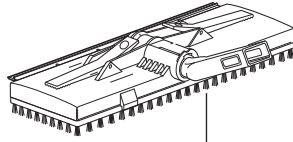
980



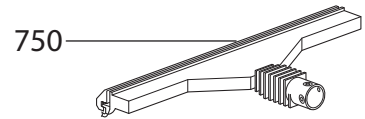
620



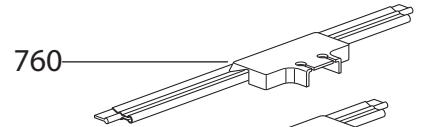
990



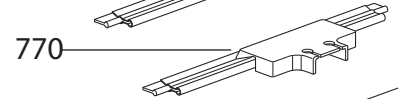
630



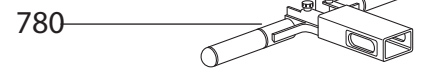
750



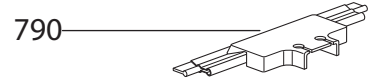
760



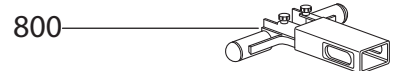
770



780



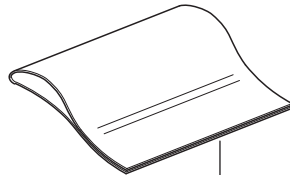
790



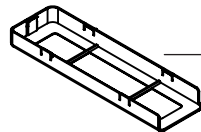
800



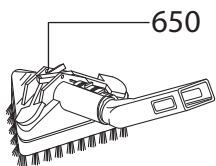
1000



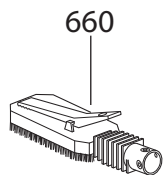
640



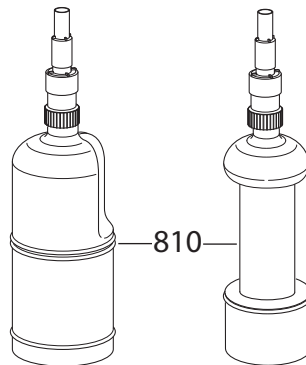
1070



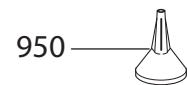
650



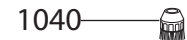
660



810



950



1040



820



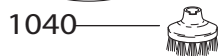
830



840



850



1040



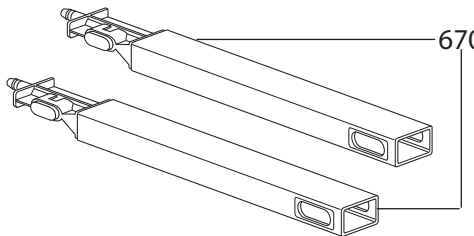
1030



860



1060



670



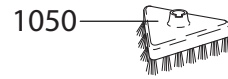
920



930



940



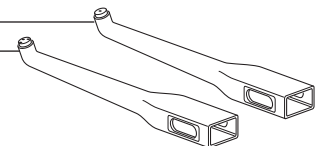
1050

(1 hole)

870

880

(3 holes)



870

880

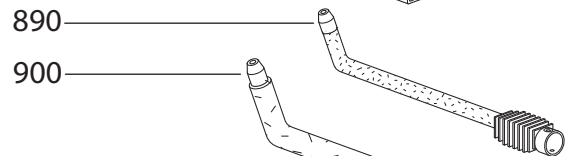
(3 holes)



680

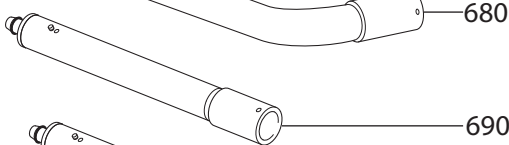


960



890

900



690



910

(1 hole)

1010

1020

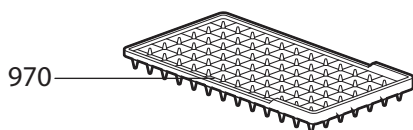
(3 holes)

(1 hole)

1010

1020

(3 holes)

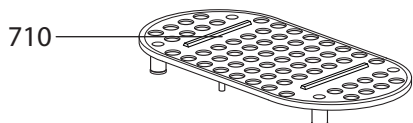


970

720

730

740



710

Tavola n°: **VS-010-T2**
Data: **02\07\2007**