

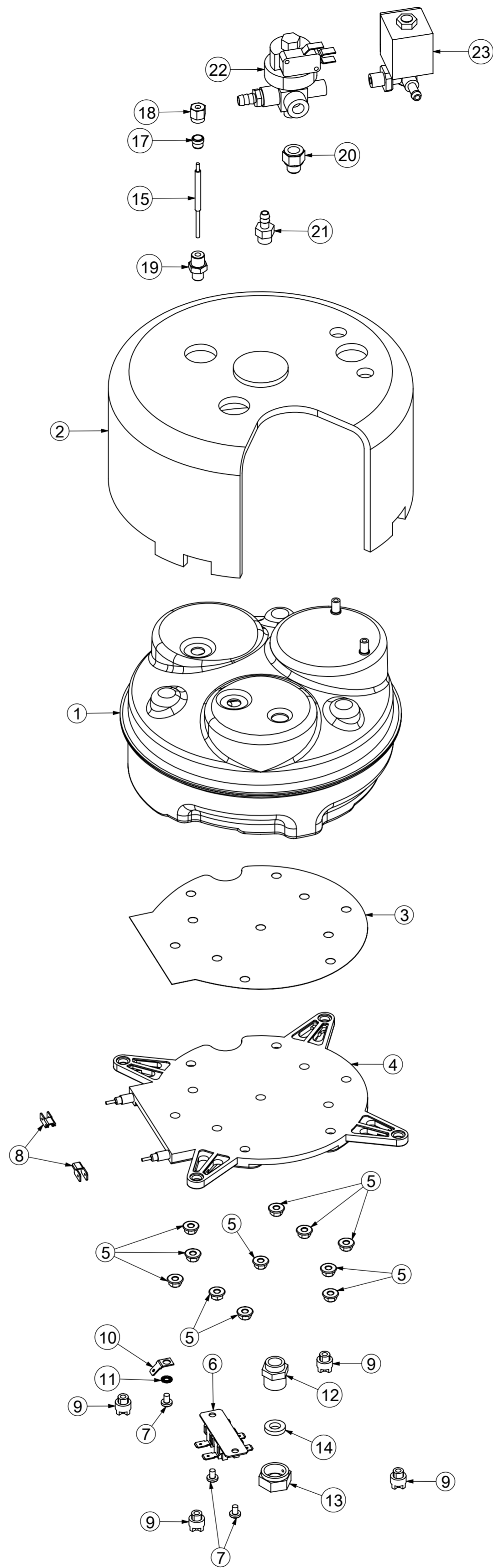
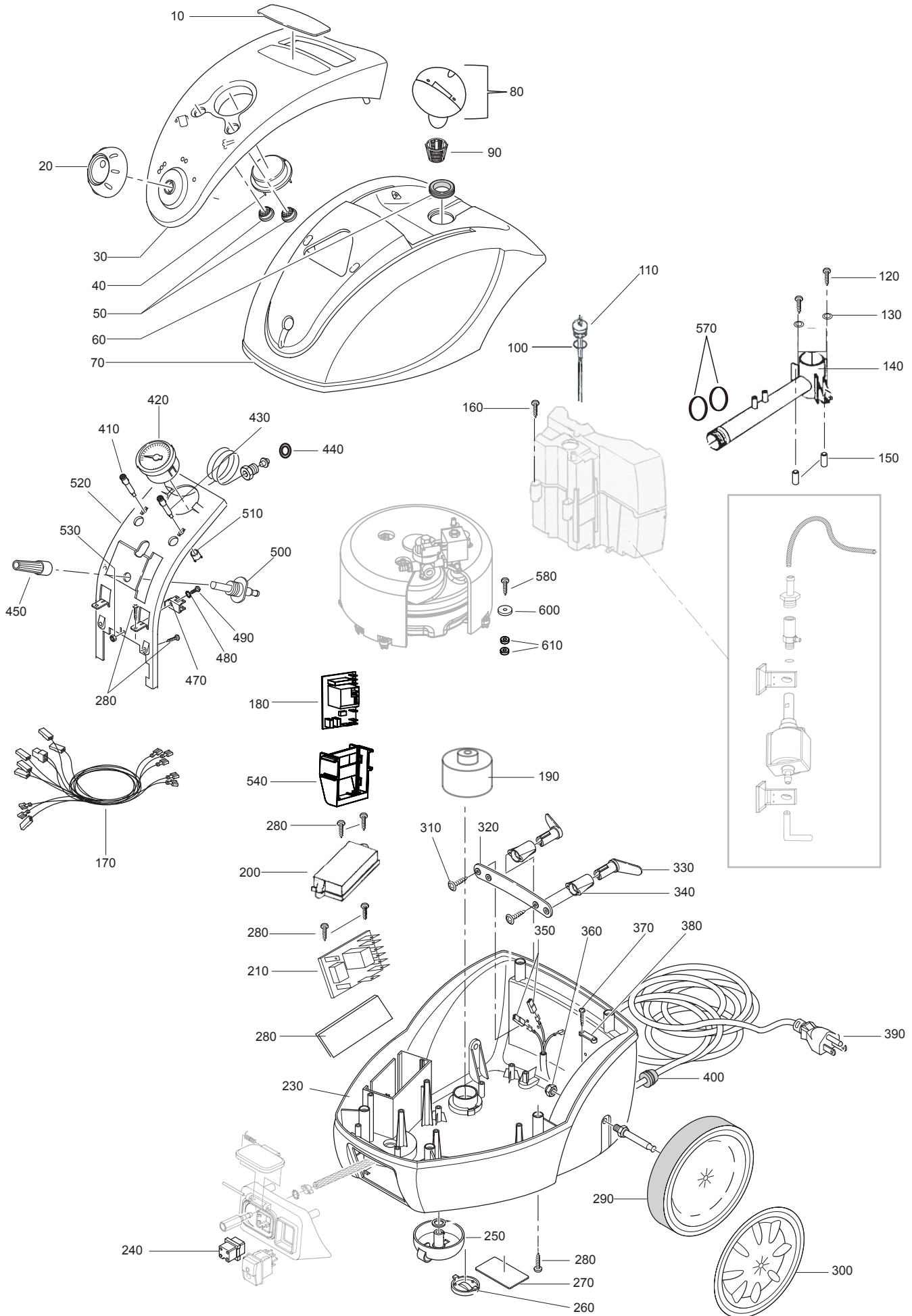
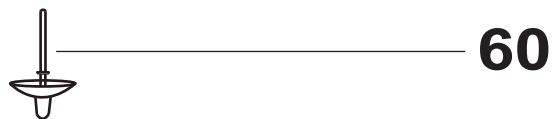
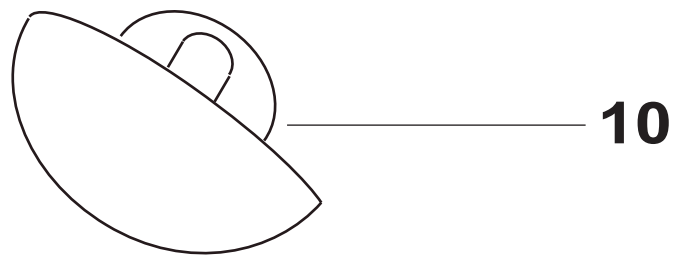
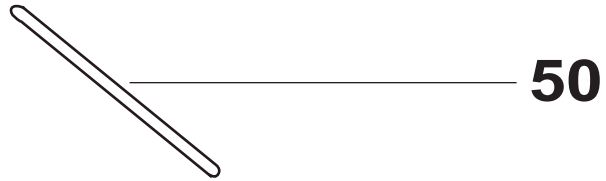
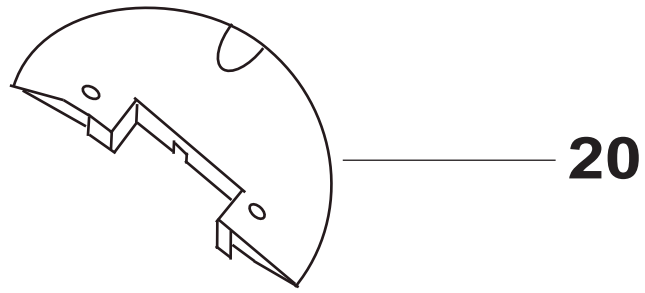


0		PRIMA EMISSIONE					
REV.	MODIFY DESCRIPTION			DATE	APPROVED BY		
DESCRIPTION				GRU. MBL AKR 5/7000 230V 4°P C/RIC		 PIAZZETTA ALBERE 3/4, 36060 ROMANO D'EZZELINO VI - ITALY	
ENG DESCRIPTION						GEN. TOL. UNI EN ISO 22768 mK 0.5-6 6-30 30-120 120-400 400-1000 ±0.1 ±0.2 ±0.3 ±0.5 ±0.8 <small>TOLERANCES FOR ANGLES ±1° TOLERANCES FOR DRAFT ANGLES ±10°</small>	
PDM CODE	REV.	CODE	MATERIAL	CER	WEIGHT (g)		
A0300019	0	40109066200010			23,001		
DRAWN BY		DATE	APPROVED BY	DATE	SCALE		
Marco Alessio		17/05/2012			1:2	A3	
COLOUR		HEAT TREATMENT	SURFACE TREATMENT	REFERENCES DIE			



0		PRIMA EMISSIONE		DATE	APPROVED BY
REV.	MODIFY DESCRIPTION			DATE	APPROVED BY
DESCRIPTION				GEN. TOL. UNI EN ISO 22768 mK	
CALDAIA 1,5L 1450W AKR C/R C/S 120V CEME				0,5-6	6-30
ENG DESCRIPTION				30-120	120-400
PDM CODE				400-1000	
A0800092	REV. 0	CODE 40145037030110	MATERIAL	PIAZZETTA ALBERE 3/4, 36060 ROMANO D'EZZELINO VI - ITALY	
DRAWN BY	DATE	APPROVED BY	DATE	SCALE	WEIGHT (g)
Marco Alessio	29/04/2014			1:5	662,604
COLOUR	HEAT TREATMENT	SURFACE TREATMENT	REFERENCES DIE	A2	





TPA IMPEX s.p.a.

Tavola n°: **G0138**
Data: **07/01/2008**

